

XNZ-L6320

2МП H.265 сетевая камера с 32х увеличением



Key Features

- Макс. разрешение 2 Мп (1920 x 1080)
- Оптический зум 32х, 4,44 - 142,6 мм
- До 60 кад/с при любом разрешении (H.265 / H.264)
- Поддержка кодеков H.265, H.264, MJPEG, многоканальная передача видео
- Дневной и ночной (с выдвижным ИК фильтром) режимы, WDR (120 дБ), функция Defog
- Цифровая стабилизация изображения, видео- и аудио- аналитика
- Технология PoE, слот для карт памяти SD/SDHC/SDXC

Compatible Accessories (Optional)



SHB-4301HP



STB-4150V



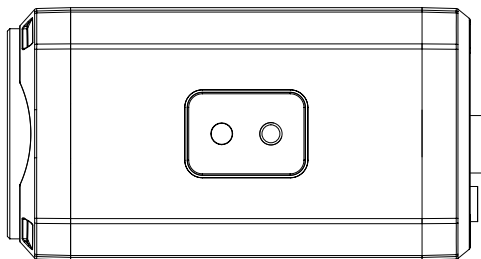
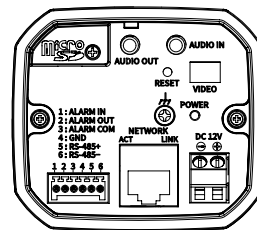
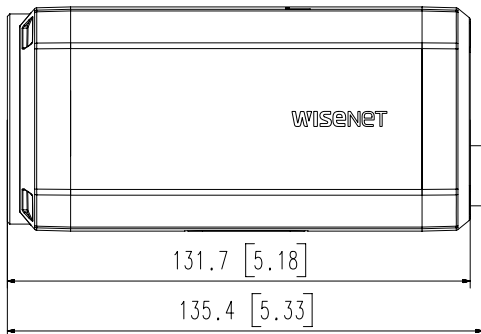
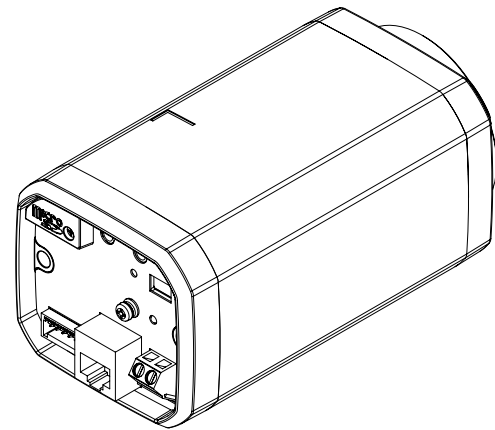
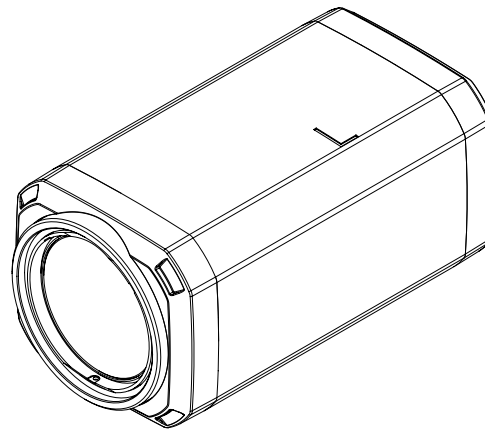
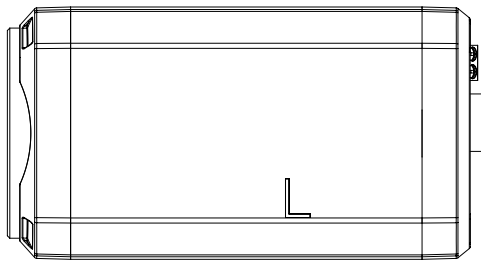
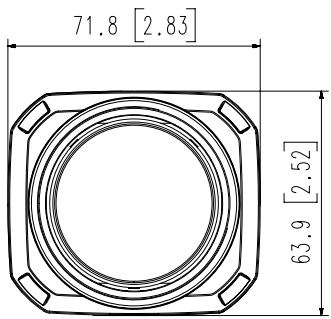
SHB-4300H1

Video	
Imaging Device	1/2.8" CMOS
Resolution	1920x1080, 1280x1024, 1280x960, 1280x720, 1024x768, 800x600, 800x448, 720x576, 720x480, 640x480, 640x360, 320x240
Max. Framerate	H.265/H.264: Max. 60fps/50fps(60Hz/50Hz) MJPEG: Max. 30fps/25fps(60Hz/50Hz)
Min. Illumination	Color: 0.05Lux(F1.6, 1/30sec) BW: 0.005Lux(IR LED On)
Video Out	CVBS: 1.0 Vp-p / 75Ω composite, 720x480(N), 720x576(P), for installation
Lens	
Focal Length (Zoom Ratio)	4.44~142.6mm(32x) motorized varifocal
Max. Aperture Ratio	F1.6(Wide) ~ F4.4(Tele)
Angular Field of View	H: 61.8°(Wide)~2.19°(Tele), V: 36.2°(Wide)~1.24°(Tele)
Min. Object Distance	1.5m(4.92ft)
Focus Control	Auto, One shot AF
Lens Type	DC auto iris
Operational	
Camera Title	Displayed up to 85 characters
Direction Indicator	Support
Day & Night	Auto(ICR)
Backlight Compensation	BLC, HLC, WDR, SSSDR
Wide Dynamic Range	120dB
Digital Noise Reduction	SSNR V
Digital Image Stabilization	Support
Defog	Support
Motion Detection	8ea, 8point polygonal zones
Privacy Masking	32ea, rectangular Support - Color: Grey/Green/Red/Blue/Black/White - Mosaic
Gain Control	Low / Middle / High
White Balance	ATW / AWC / Manual / Indoor / Outdoor
Electronic Shutter Speed	Minimum / Maximum / Anti flicker (2~1/12,000sec)
Video Rotation	Flip, Mirror
Analytics	Defocus detection, Directional detection, Fog detection, Face detection, Motion detection, Digital auto tracking, Appear/Disappear, Enter/Exit, Loitering, Tampering, Virtual line, Audio detection, Sound classification
Alarm I/O	Input 1ea / Output 1ea
Alarm Triggers	Analytics, Network disconnect, Alarm input
Alarm Events	File upload via FTP and E-Mail Notification via E-Mail SD/SDHC/SDXC or NAS recording at Event Triggers Alarm output Handover

Audio In	Selectable(Mic in/Line in), Supply voltage: 2.5VDC(4mA), Input impedance: 2K Ohm
Audio Out	Line out, Max. output level: 1Vrms
Network	
Ethernet	Metal shielded RJ-45(10/100BASE-T)
Video Compression	H.265/H.264: Main/Baseline/High, MJPEG
Audio Compression	G.711 u-law /G.726 Selectable G.726(ADPCM) 8KHz, G.711 8KHz G.726 : 16Kbps, 24Kbps, 32Kbps, 40Kbps AAC-LC : 48Kbps at 16KHz
Smart Codec	Manual(5ea area), WiseStream II
Bitrate Control	H.264/H.265: CBR or VBR MJPEG: VBR
Streaming	Unicast(20 users) / Multicast Multiple streaming(Up to 10 profiles)
Protocol	IPv4, IPv6, TCP/IP, UDP/IP, RTP(UDP), RTP(TCP), RTCP,RTSP, NTP, HTTP, HTTPS, SSL/TLS, DHCP, FTP, SMTP, ICMP, IGMP, SNMPv1/v2c/v3(MIB-2), ARP, DNS, DDNS, QoS, PIM-SM, UPnP, Bonjour,LLDP, SRTP
Security	HTTPS(SSL) Login Authentication Digest Login Authentication IP Address Filtering User access log 802.1X Authentication(EAP-TLS, EAP-LEAP) Device certificate(Hanwha Techwin Root CA)
Application Programming Interface	ONVIF Profile S/G/T SUNAPI(HTTP API) Wisenet open platform
General	
Webpage Language	English, Korean, Chinese, French, Italian, Spanish, German, Japanese, Russian, Swedish, Portuguese, Czech, Polish, Turkish, Dutch, Hungarian, Greek
Edge Storage	Micro SD/SDHC/SDXC 1slot 256GB
Memory	1024MB RAM, 256MB Flash
Environmental & Electrical	
Operating Temperature / Humidity	-10°C ~ +55°C(-14°F ~ +131°F) / Less than 90% RH
Storage Temperature / Humidity	-50°C ~ +60°C(-58°F ~ +140°F) / Less than 90% RH
Input Voltage	PoE(IEEE802.3af, Class3), 12VDC
Power Consumption	PoE : Max 6.8W, Typical 4.8W 12VDC : Max 5.2W, Typical 3.5W
Mechanical	
Color / Material	Black / Metal
RAL Code	RAL9005
Product Dimensions / Weight	72x63.9x135.4mm(2.83x2.52x5.33"), 480g(1.06 lb)
DORI	
Detect (25PPM/ 8PPF)	Wide: 64.2m(210.62ft) / Tele: 2009.0m(6591.3ft)

Observe (63PPM/ 19PPF)	Wide: 62.5m(84.32ft) / Tele: 803.6m(2636.5ft)
Recognize (125PPM/ 38PPF)	Wide: 12.8m(42.1ft) / Tele: 401.8m(1318.3ft)
Identify (250PPM/ 76PPF)	Wide: 6.4m(21.1ft) / Tele: 200.9m(659.1ft)

- The latest product information / specification can be found at hanwha-security.com
- Design and specifications are subject to change without notice.
- Wisenet is the proprietary brand of Hanwha Techwin, formerly known as Samsung Techwin.



A2

© Hanwha Techwin Co.,Ltd. All rights reserved.

3	파생 MODEL2	
2	파생 MODEL1	
1	XNZ-L6320	'19.09.25
No.	MODEL NAME	DATE
Unit:mm[inch] SCALE:1/1		Hanwha Techwin